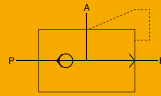


## KKP

### Quick Exhaust Valve



1  
Quick Exhaust Valve



#### Specifications

Model	KKP-06	KKP-08	KKP-10	KKP-15
Working medium	Clean air(After 40 μ m filtration )			
Working pressure(MPa)	0.15-0.8			
Guaranteed. pressure resistance (MPa)	1.2			
Working temperature (°C)	-5-60			
Port size	1/8" - 1/2"			

#### How to Order?

Series No.	Port Size	Thread Type
KKP: Quick exhaust valve	06: 1/8"    10: 3/8" 08: 1/4"    15: 1/2"	Blank: G P: PT T: NPT

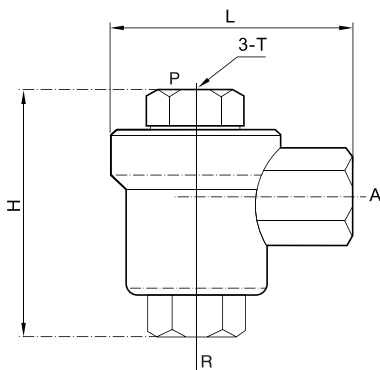
#### Product Features

- \* Normally working with main valve together, not be used separately
- \* Provide assistance to control the system better

#### Order Example:

KKP quick exhaust valve. 1/4" port size, G thread, ERP code is: KKP-08

#### Main Dimension



Model	T	H	L
KKP-6	1/8"	37	41.5
KKP-8	1/4"	45.5	38
KKP-10	3/8"	56	46.5
KKP-15	1/2"	67	54